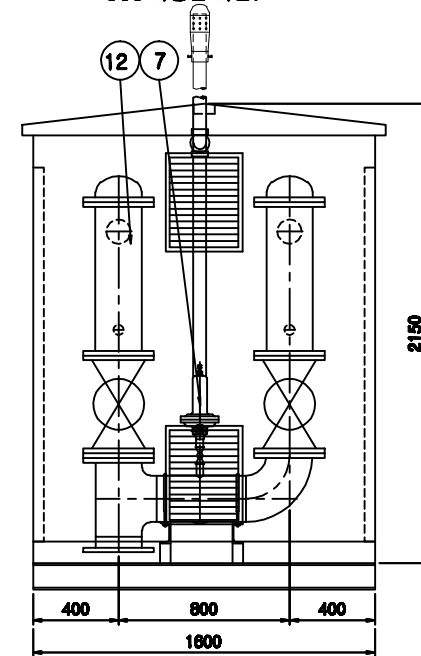
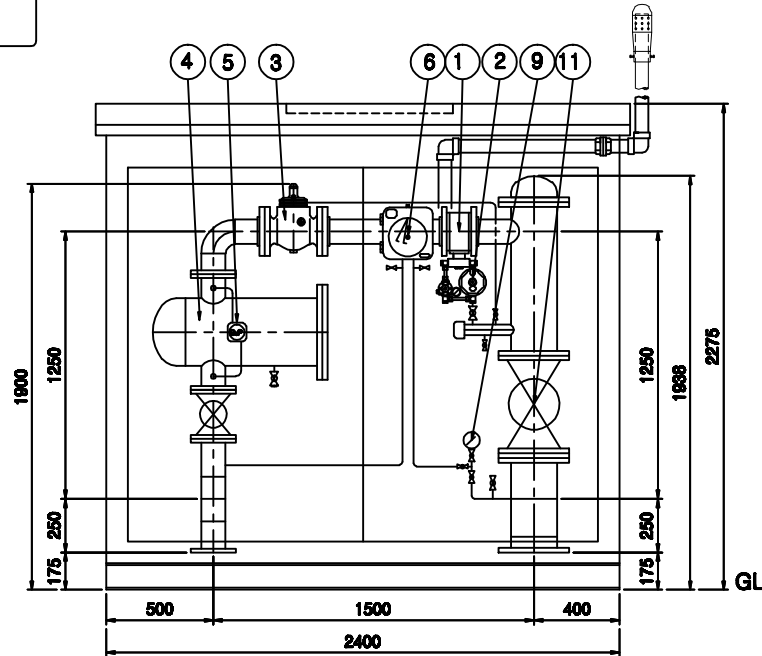
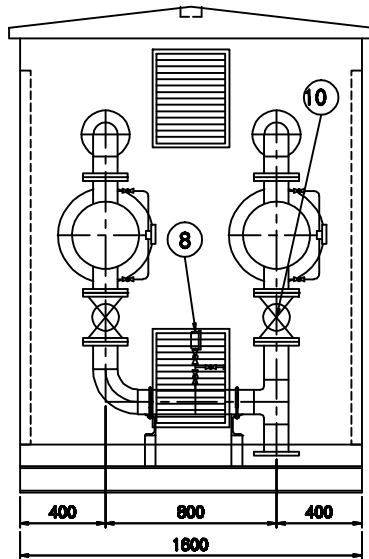


NO	DESCRIPTION	SIZE	Q'TY	REMARKS
1	A.F.VANERSTOPP	4"	2	A. M. C
2	HARNOREG PILOT	3/4"	2	L. G. A
3	B.B.V (B)	4"	2	JEAVONS
4	FILTER (B.S.G. HFV, 1MPa)	6"	2	SE JONG
5	D.P GAUGE (0-70MPa)	1/4"	2	SE JONG
6	RECORDER (1-0.1MPa, 70)	2PEN	1	SE JONG
7	JARSH RELIEF	1"	1	JEAVONS
8	PRESSURE GAUGE (0-1MPa)	φ100	1	WOO JIN
9	PRESSURE GAUGE (0-0.1MPa)	φ100	1	WOO JIN
10	BALL VALVE (1MPa)	4"	2	K. P. C
11	BALL VALVE (1MPa)	8"	2	K. P. C
12	TURBO FUSER	8"	2	SE JONG

HOUSING

- MAT'L : SUS304, 1.2t
- SIZE : 2400x1600x2150H
- DOOR : 전,후면 (2개소)
- 환기구 : 320x420(4개소)
- 출몰재 : MELAMINE-25t (난연3급)
SUS 다공판 마감.



INLET 4"

OUTLET 8"

DWG: KJC/B	PROJECT TITLE	DATE	SCALE	P/SCALE	DWG NO.			
DWG:	DATE	REVISION	DWG DES	CHK	2008. 10. 14	1/10	A-E	KD0101085
CHK:	TITLE APV-48M-08 GOVERNOR STATION							
APP:	世宗에이엠씨株式会社 SAMSUNG-AMC CORPORATION							